

**DESCRIPTION**

Solenoid valve 2 way normally closed  
direct acting poppet type

**CONSTRUCTION**

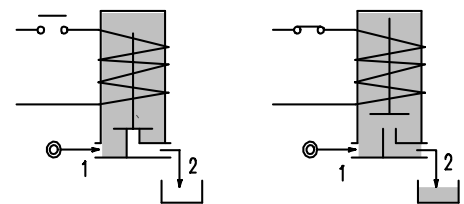
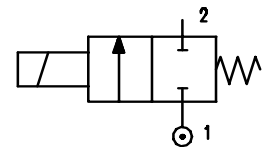
Body	Brass
Armature tube	Brass
Plunger and core	Stainless steel
Springs	Stainless steel
Seal material	NBR FPM



**2**

**FEATURES**

Maximum allowable pressure 30 bar  
 Maximum fluid viscosity 25cSt (mm<sup>2</sup>/s)  
 Ambient temperature : with class F coil -10°C +55°C  
 with class H coil -10°C +80°C  
 Universal mounting position



**OPTIONS :** Electroless nickel plating

CODE ① ②	Connection	Orifice mm	KV m <sup>3</sup> /h	Differential pressure bar			Nominal power			Coil		Seal ①	Temp. Range °C
				Min	Max		AC Inrush	VA Holding	DC Watt	Series	Width		
					AC	DC							
D121L.....10//.....	M5	1	0.03	0	-	10	-	-	2	6	16	NBR=B	-10 +90
D121L.....12//.....	M5	1.2	0.037	0	-	7	-	-	2	6	16		
D121L.....12//.....	M5	1.2	0.037	0	-	12	-	-	4	6	16		
D121L.....16//.....	M5	1.6	0.055	0	-	3	-	-	2	6	16	FPM=V	-10 +130
D121L.....16//.....	M5	1.6	0.055	0	-	8	-	-	4	6	16		
D121L.....20//.....	M5	2	0.082	0	-	1.4	-	-	2	6	16		
D121L.....20//.....	M5	2	0.082	0	-	4	-	-	4	6	16		

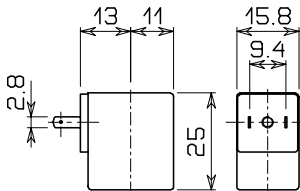
- ① Seal
- ② Coil

Example: D121LV12///60112 FPM seal  
Coil 24V DC 2W

COIL	Direct Current				Electrical connection	Connectors
	12V		24V			
	2W	4W	2W	4W		
Series <b>6</b> Width <b>16</b> Code ②	<b>60012</b>	<b>60014</b>	<b>60112</b>	<b>60114</b>	<b>AMP</b> <b>2.8X0.5</b>	<b>PG7 10348040</b>

**DESCRIPTION**  
 Class F insulation  
 Voltage tolerance  $\pm 5\%$   
 Protection class  
 IP65 with connector fitted  
 IP00 without connector  
 Continuous service ED100%

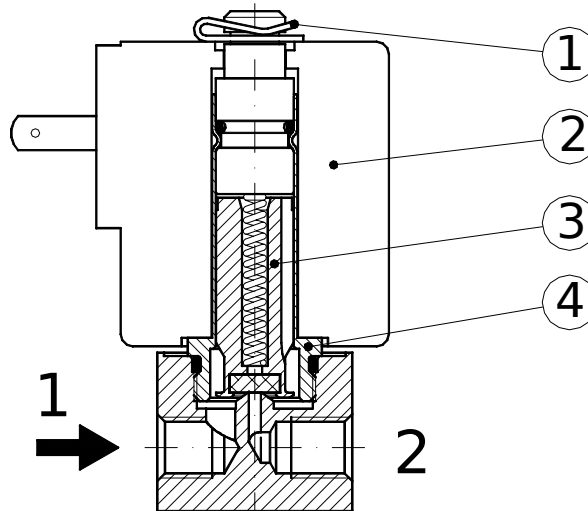
**OPTIONS**  
 Cable attached  
 Special coil voltages  
 Special coil powers



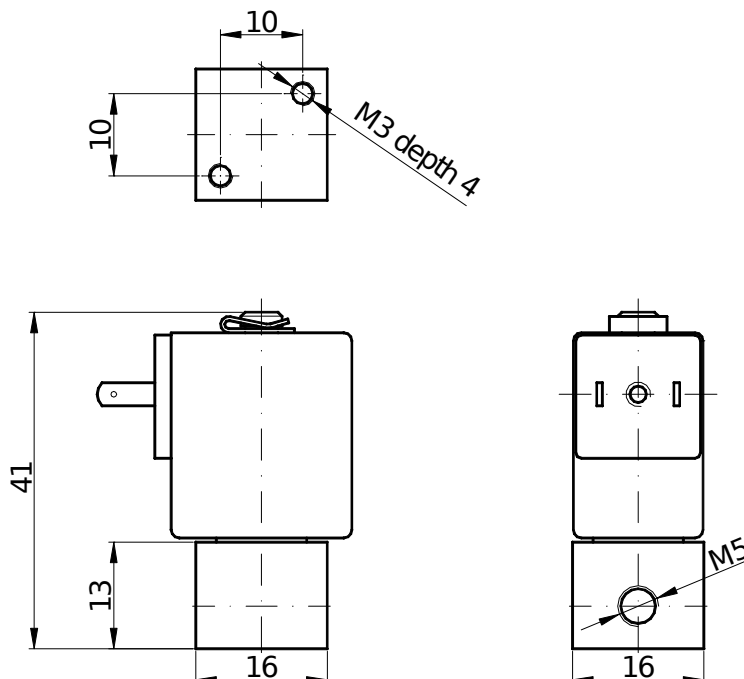
Series 6 Weight 0.02Kg

**SPARE PARTS LIST**

1. Coil fixing nut
2. Coil
3. Plunger
4. Armature tube with core



**OVERALL DIMENSION**



Weight = 0.05 Kg