



DESCRIPTION

Solenoid valve 3 way normally closed direct acting poppet type, suitable for food application and all compatible fluids.

CONSTRUCTION

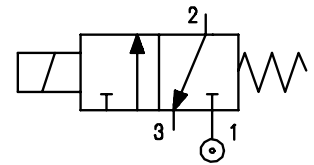
Body	Thermoplastic polymer: NSF, WRC, KTW, FDA certified
Armature tube	Brass chemically nickel plated
Plunger and core	Stainless steel
Springs	Stainless steel
Seal material	NBR food contact certified FPM food contact certified EPDM food contact certified



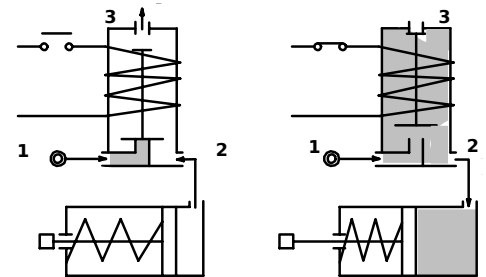
FEATURES

Maximum allowable pressure 10 bar
 Maximum fluid viscosity 25cSt (mm²/s)
 Ambient temperature : with class F coil -10°C +55°C
 with class H coil -10°C +80°C
 Universal mounting position

OPTIONS : Stainless steel armature tube
 Type N connection without nut



3



CONNECTIONS					
K	N	P	W ^③	Y	Z
SPIGGOT	G1/8" male thread with NUT for flexible and semiflexible pipes	HOSETAIL for flexible pipes	COMPRESSION for flexible and semiflexible pipes	PUSH IN for semiflexible pipes ext.6	PUSH IN for semiflexible pipes ext.4

CODE ① ②	Connection *	Orifice mm	KV m ³ /h	Differential pressure bar			Nominal power			Coil		Seal ①	Temp. range °C
				Min	Max		AC Inrush	VA Holding	DC Watt	Series	Width		
					AC	DC							
E335*.....15///.....	K-N-P-W-Y-Z	1.5	0.06	0	9	9	12	8	6.5	3	22	NBR=A EPDM=E FPM=V	-10 +90 <+140 -10 +130

- ① Seal
- ② Coil
- ③ Only for connection "W"

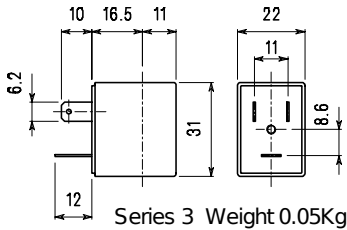
Example: E335KA20///30B NBR seal SPIGGOT connection
 Coil 24V 50/60Hz
 E335W..../1/....



COILS	Alternating current ~50/60Hz Volt							Direct Current Volt			Electrical connection	Connectors
	12	24	48	110	220 230	240	380	12	24	48		
Series 3 Width 22 Code ②	30A	30B	30C	30D	30E	30F	30G	300	301	302	DIN 46244	PG9 code 10348000

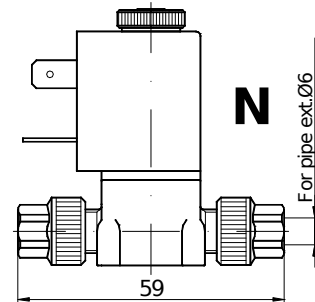
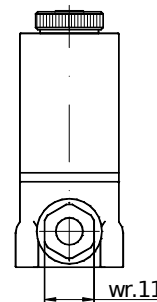
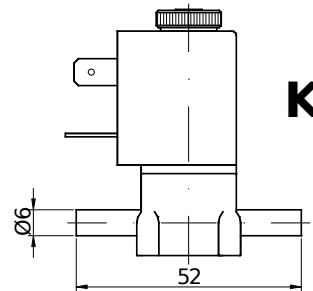
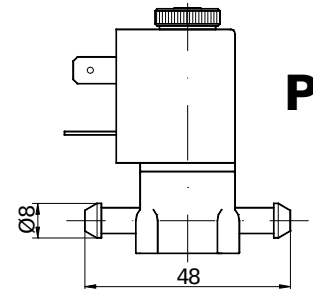
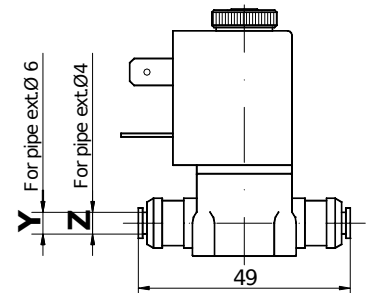
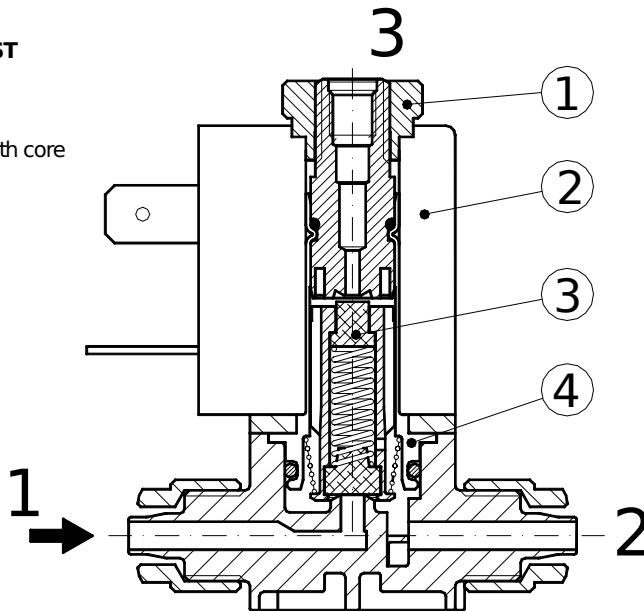
DESCRIPTION
 Class F insulation
 Voltage tolerance
 AC +15% -10%
 DC ±10%
 Protection class
 IP65 with connector fitted
 IP00 without connector
 Continuous service ED100%

OPTIONS
 Class H insulation
 Cable attached
 Special coil power
 Special coil voltages

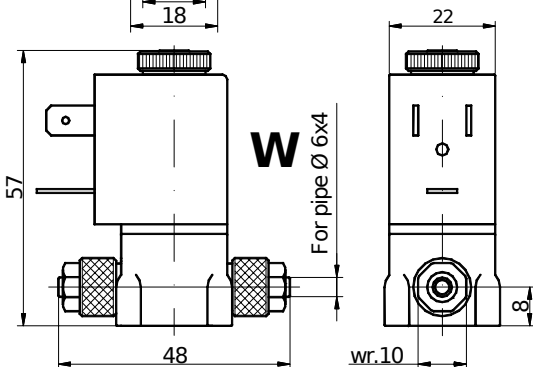
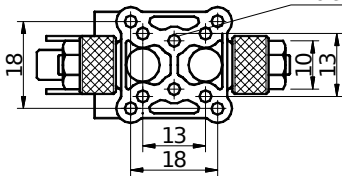


SPARE PARTS LIST

1. Coil fixing nut
2. Coil
3. Plunger
4. Armature tube with core



Holes for self-threading screws Ø3 max depth 8
 Max tightening torque 5 Nm



Nut Max torque 2 Nm

Weight = 0.10 Kg

Screw the nut with wrench 11 up to the sliding on the hexagon (TORQUE LIMITING DEVICE)